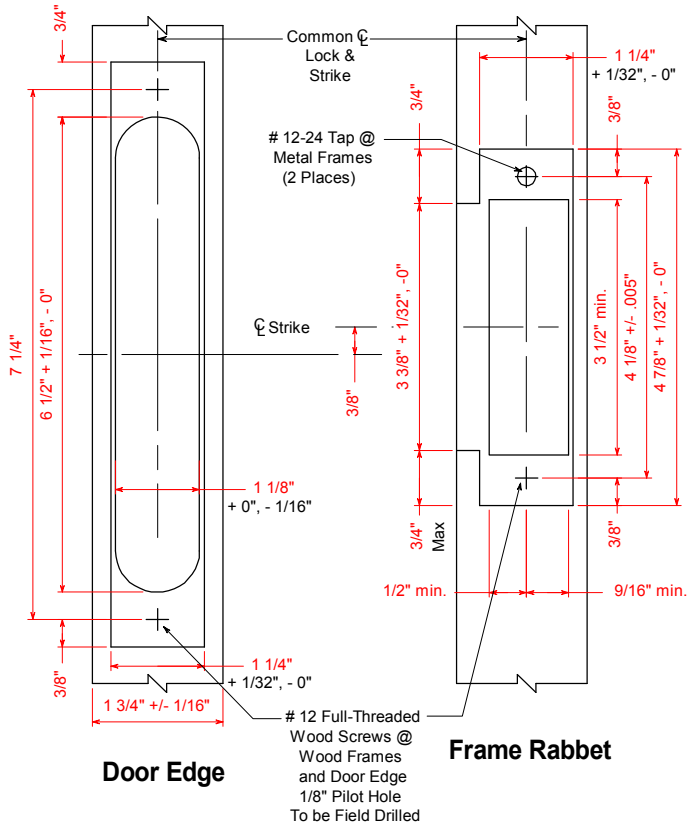
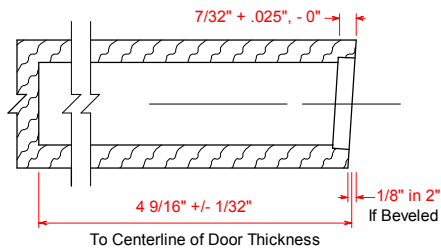


Door Face

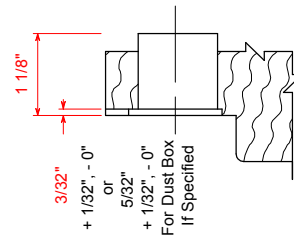


Door Edge

Frame Rabbet

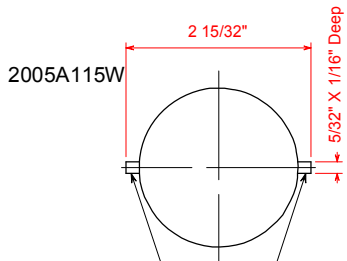


Section



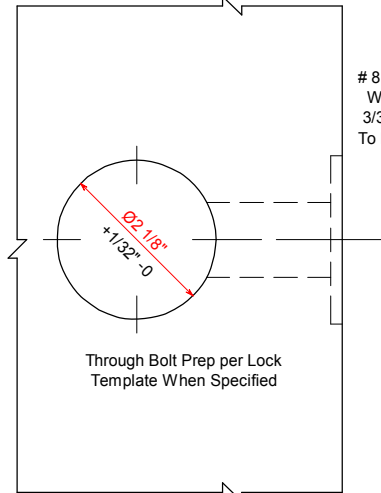
Wood Frame Section

Specifications for Preparation of 1 3/4" Wood and Laminate Faced Flush and Wood Stile & Rail Doors for Mortise Locks and Latches



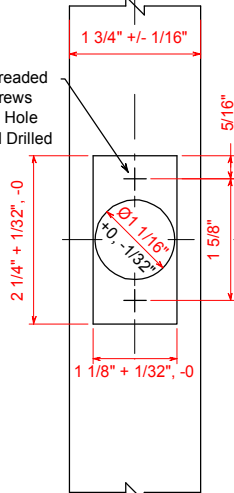
2005A115W

High Pressure Laminate Faced Wood Doors Shall Be Factory Notched for Lock Support Tabs (Notch Shape May Vary)

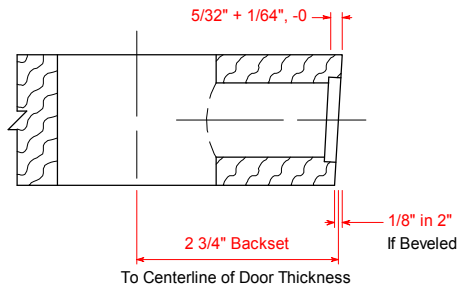


Door Face

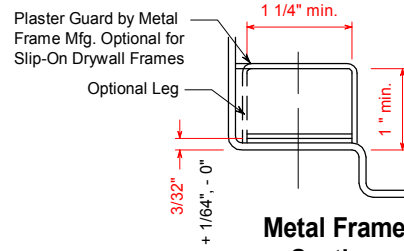
8 Full-Threaded Wood Screws 3/32\" Pilot Hole To be Field Drilled



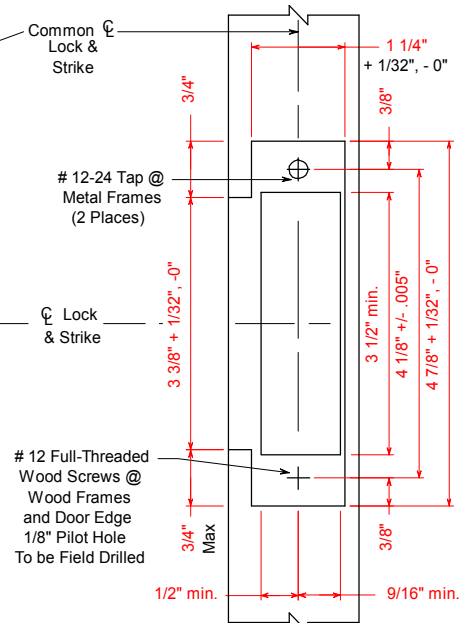
Door Edge



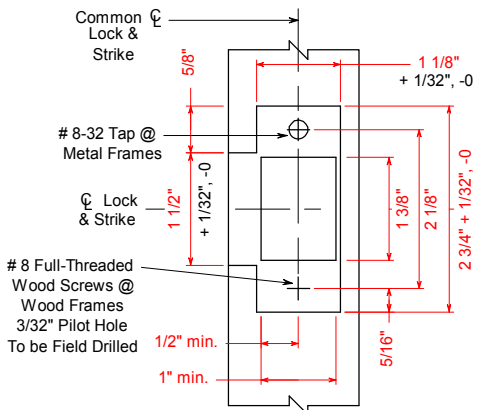
Section



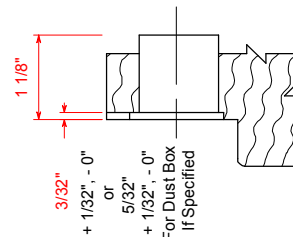
Metal Frame Section



Frame Rabbet



Frame Rabbet for Optional Strike (If Specified)



Wood Frame Section

Specifications for Preparation of 1 3/4\"/>