

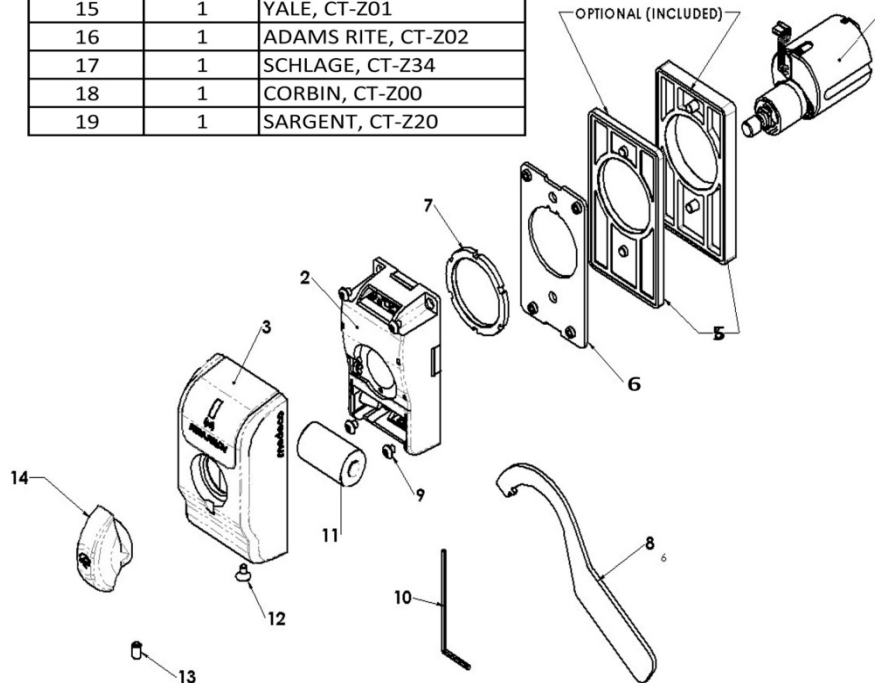


Aperio is a wireless lock technology for new and existing access control systems, online or offline. Aperio is developed by ASSA ABLOY, the global leader in door opening solutions.



**Medeco M100**

ITEM	QTY	DESCRIPTION
1	1	CYLINDER
2	1	CONTROL UNIT
3	1	COVER
4		INSTALLATION KIT
5	1	SPACER, THICK
	1	SPACER, THIN
6	1	MOUNTING PLATE
7	1	LOCKING NUT
8	1	LOCKING NUT TOOL
9	1	MOUNTING SCREWS
10	1	ALLEN WRENCH
11	1	BATTERY, CR-2
12	1	COVER SCREW
13	1	SET SCREW
14	1	THUMBTURN
<b>CAMS INCLUDED (NOT SHOWN)</b>		
15	1	YALE, CT-Z01
16	1	ADAMS RITE, CT-Z02
17	1	SCHLAGE, CT-Z34
18	1	CORBIN, CT-Z00
19	1	SARGENT, CT-Z20



**Before you begin please verify the following:**

- Proper Cam
- Programming Training Completed
- Verify Handing of Door (Left or Right Hand)

# FOR TRAINING PURPOSES ONLY

**Step 1:** The M100 installs in a similar fashion to a mechanical mortise lock, and requires the same adjustments to function properly with the mortise hardware. The following steps outline the mechanical installation only.

## Removal of Existing Cylinder

- Remove the door-edge trim by removing the retaining screws and gently prying the trim plate loose (Fig. 1).
- Loosen the cylinder clamp screw far enough to allow the existing cylinder to be removed (Fig. 2).
- Using a key partially inserted, rotate the mortise cylinder counter-clockwise to remove it. Also remove any trim rings if they are used (Fig. 3).

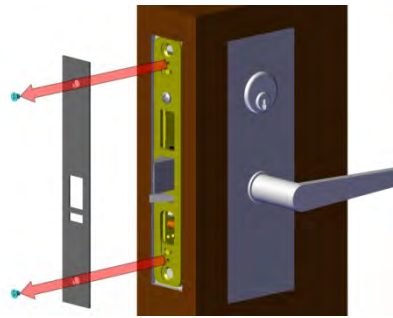


Fig. 1

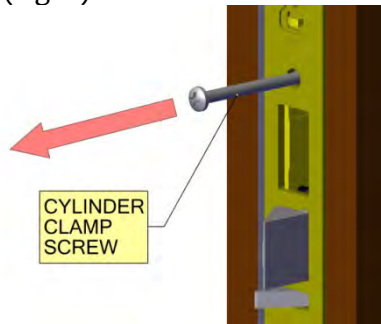


Fig. 2



Fig. 3

**Step 2:** Verify that the cam on the M100 is the same style as was on the cylinder that was just removed. If the removed cylinder is a **Medeco** brand, the cam can be interchanged onto the M100 (Fig. 4).

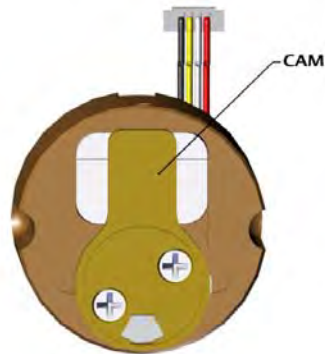


Fig. 4

Screw the M100 into the cylinder mounting hole on the mortise hardware (Fig. 5). It is important to not over tighten, or to keep too loose on the door. The face of the M100 cylinder should stand proud of the escutcheon approximately  $3/16$ "- $1/4$ ". Please also see (Fig. 12) before proceeding (Fig. 6).

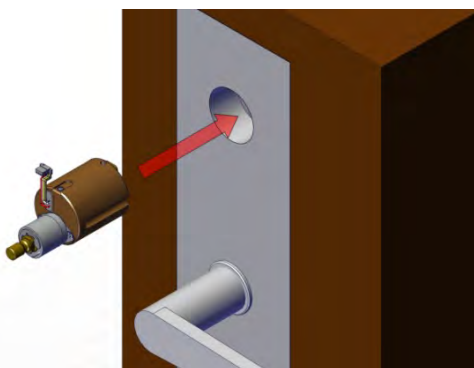


Fig. 5

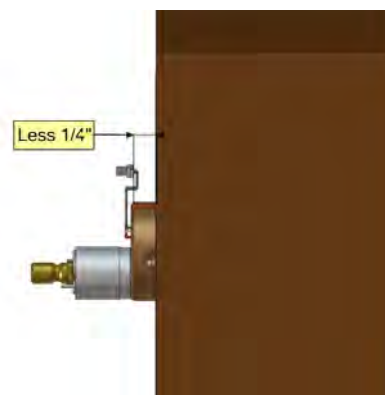


Fig. 6

# FOR TRAINING PURPOSES ONLY

**Step 3:** Re-tighten the cylinder clamp screw with the M100 in a vertical position. The screw should engage tightly in the slot along the edge of the cylinder so the cylinder cannot rotate (Fig. 7).

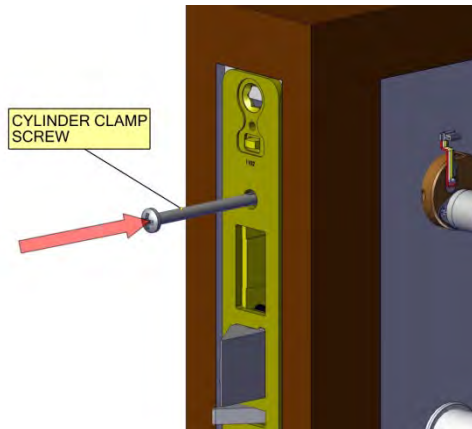


Fig. 7

**Step 4:** Add back plate and locking nut (Fig. 8). **Warning:** Wire harness goes through plate (Fig. 9).

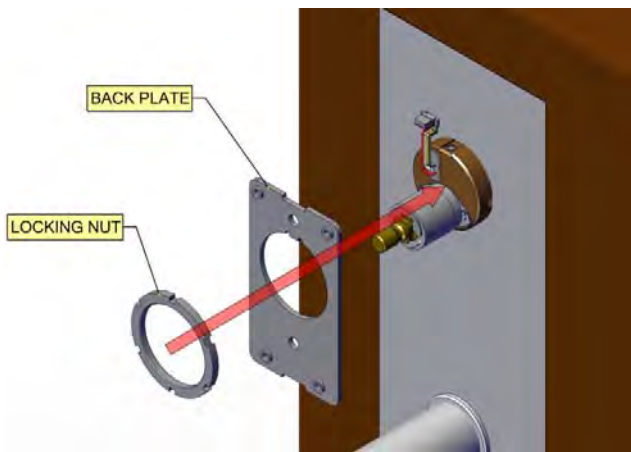


Fig. 8

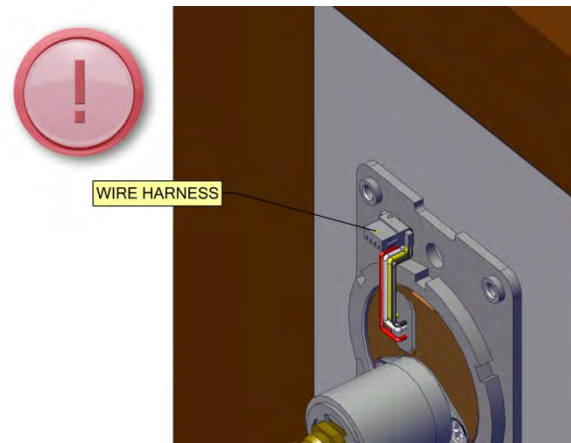


Fig. 9

Tighten with locking nut tool (Fig. 10). **Warning:** Only one or two threads should be visible for proper operation (Fig. 11).

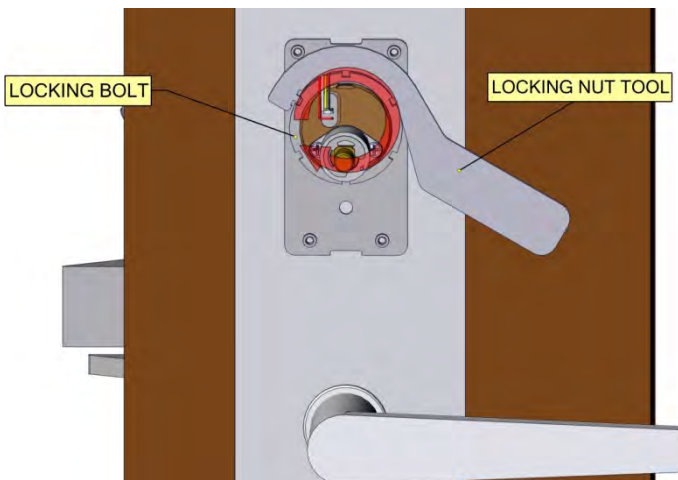


Fig. 10

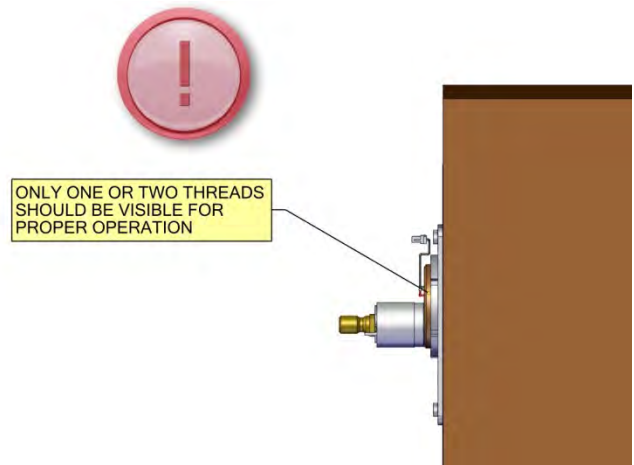


Fig. 11

# FOR TRAINING PURPOSES ONLY

**Step 5:** Connect control unit to wire harness and install 4 mounting screws (Fig. 12 and Fig. 13).

**Warning:** Avoid pinching wire harness when mounting the control unit.

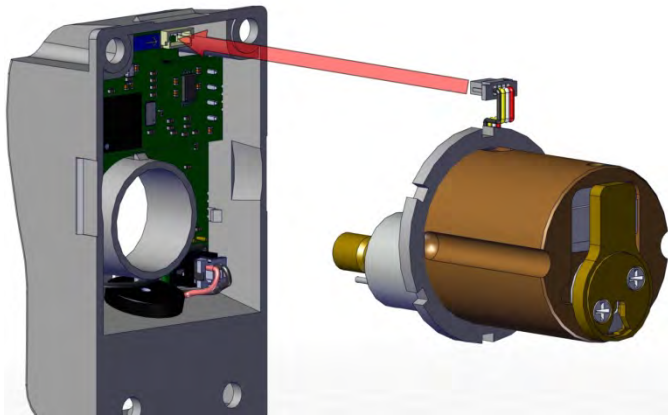


Fig. 12

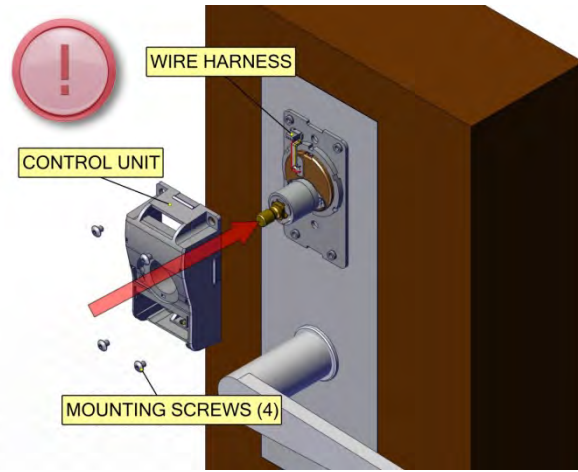


Fig. 13

**Step 6:** Install Battery. Please verify the battery is inserted in the correct polarity position. Always use new batteries installed with correct polarity (Fig. 14 and 15).

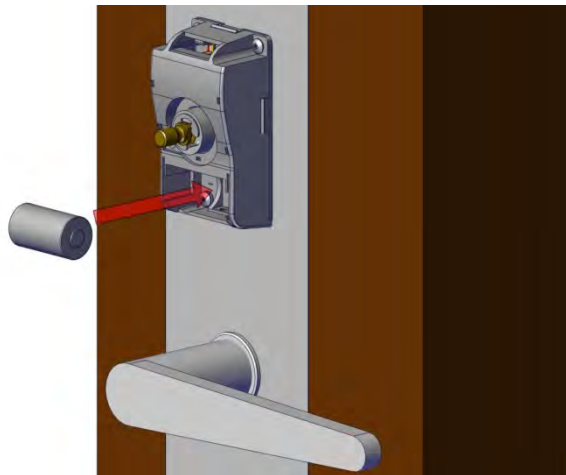


Fig. 14

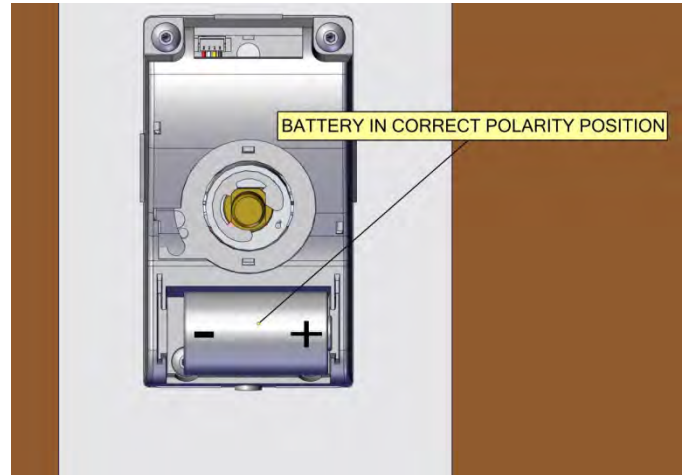


Fig. 15

**Step 7:** Install cover assembly (Fig. 16) and cover screw (Fig. 17).

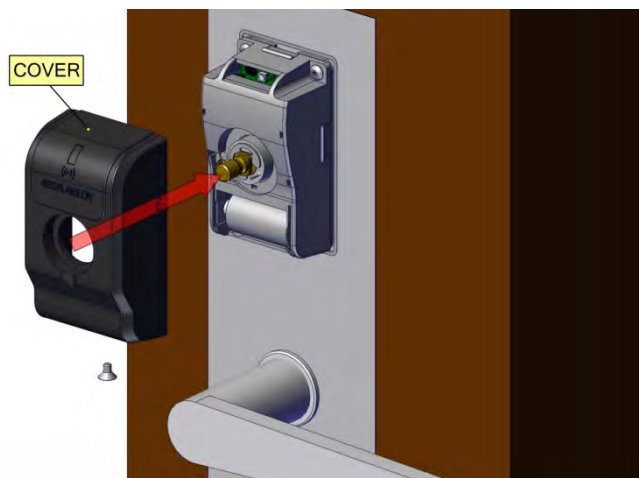


Fig. 16

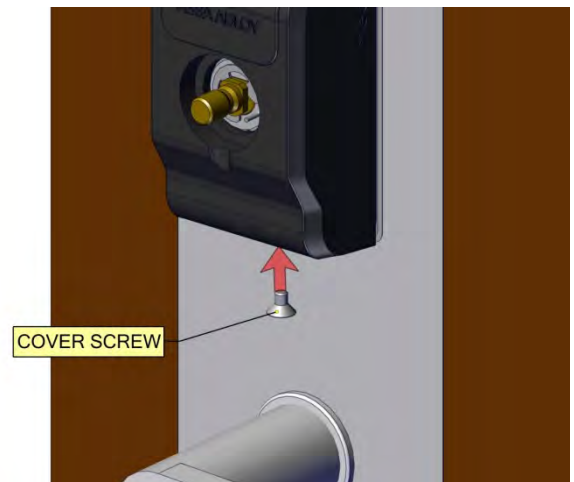


Fig. 17

# FOR TRAINING PURPOSES ONLY

**Step 8:** Install thumbturn (Fig. 18), set screw (Fig. 19), and re-install door edge trim (Fig. 20).

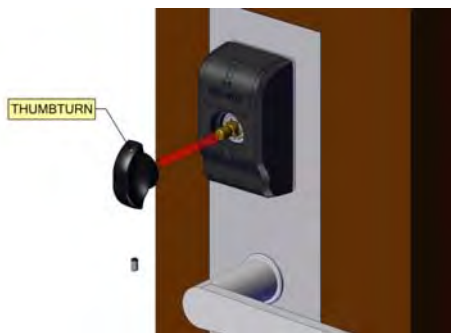


Fig. 18

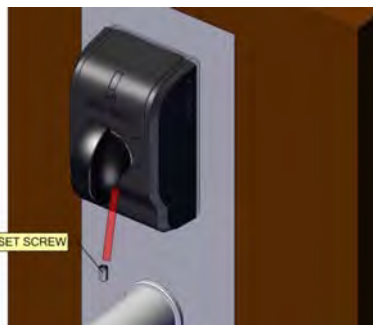


Fig. 19



Fig. 20

## Warning:

### FCC Statement

This device complies with Part 15 of the FCC Rules. Operation is subject to the following two conditions:

1. This device may not cause harmful interference, and
2. This device must accept any interference received, including interference that may cause undesired operation.

Changes or modifications not expressly approved by the manufacturer could void the user's authority to operate this equipment.

*Le présent appareil est conforme aux CNR d'Industrie Canada applicables aux appareils radio exempts de licence. L'exploitation est autorisée aux deux conditions suivantes : (1) l'appareil ne doit pas produire de brouillage, et (2) l'utilisateur de l'appareil doit accepter tout brouillage radioélectrique subi, même si le brouillage est susceptible d'en compromettre le fonctionnement.*

## Tips and Trouble Shooting

Thumbturn drags on cover.

Thumbturn is not out far enough refer to Step 4, Fig. 12.

The cover does not sit flush on plate.

Cylinder is protruding out to far (included are optional spacers for proper spacing of cylinders) refer to Step 4, Fig. 12.